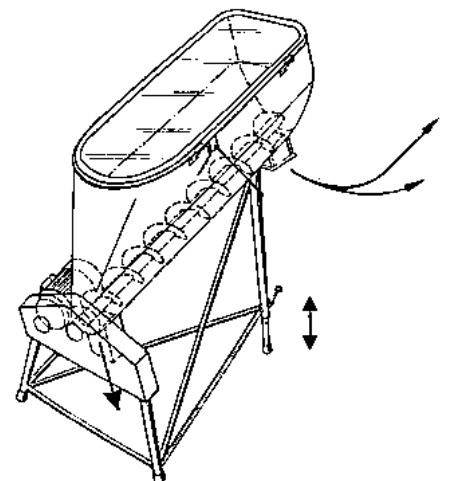


Small batch mixer MJ-50 made of steel for powders and granules
(Re. 15-10266-5)
Not suitable for food

**2 small mixers MJ-50
made of mild steel**

- Volume approx. 35 litres
- Usable volume approx. 3,5 to 31 litres
- Drive to mixing screw 0,75 kW, 400 VAC, 50 Hz, 2,2 A, one speed
- 3 wheels
- Outlet and inlet for product rests: sliding gate
- Weight approx. 32 kg
- Dimensions in mm
approx. length 930 x width 880 x
height 1'240



(Subject to changes without further notice)